

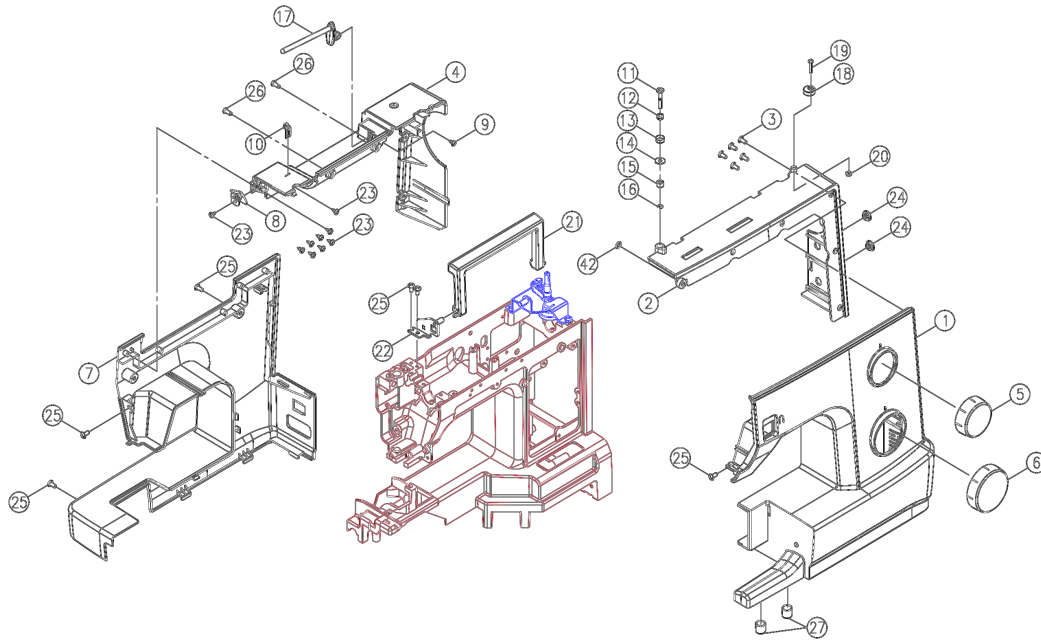
Zur Zeit ist  
leider kein Bild  
vorhanden.

## Spare Parts

Sew & Go 1

# Sew & Go 1

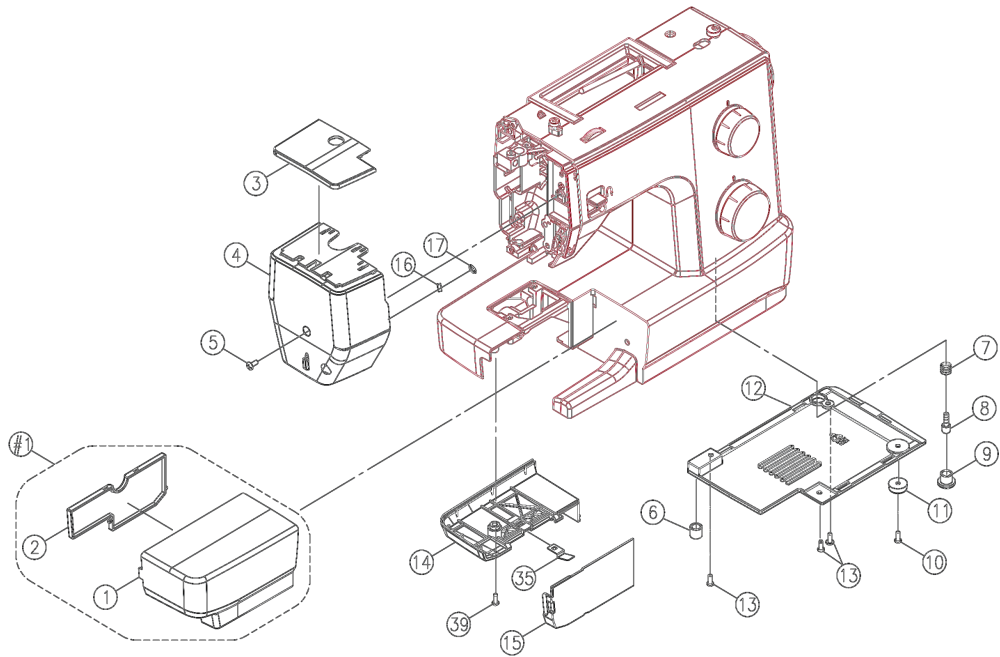
# Front Cover, Back Cover



| Pos | Item number | Description                    | Supplier Part no. |
|-----|-------------|--------------------------------|-------------------|
| 1   | 5020210290  | Front Cover Sew&Go1            | K1LC013892        |
| 2   | 5020210001  | Top Decoration Plate (Front)   | K3LA013641        |
| 3   | 5020209419  | Screw (M3*0.5*L8.5)            | 004230216         |
| 4   | 5020210000  | Top Decoration Plate (Back)    | K5LA023641        |
| 5   | K1LR013892  | Stitch Length Dial             |                   |
| 6   | K1LD013892  | Pattern Selector Dial          |                   |
| 7   | K5LZ083892  | Back Cover                     |                   |
| 8   | 5020209205  | THREAD GUIDE CPL               | K6D0215000        |
| 9   | 004230646   | SET SCREW (M3×16.7 B)          |                   |
| 10  | 5020209437  | Thread Guide                   | H1B0603001        |
| 11  | 5020209218  | Bobbin winder thread guide cpl | K6A1284000        |
| 17  | 5020209272  | Spool pin base                 | V880703892        |
| 18  | 5020210021  | Bobbin winder                  | K6B0393000        |
| 19  | 5020206101  | Screw (SM9/64-40*L16)          | 004106162         |
| 20  | 5020206124  | Nut (9/64x40 t=3)              | 004706013         |
| 21  | H2HZ133641  | Handle                         |                   |
| 22  | 5020210016  | Handle bracket cpl.            | K5L0035000-01     |
| 23  | 5020207389  | SCREW M3*8.5                   | 004230216         |
| 24  | H1FZ143641  | Cap                            |                   |
| 25  | 5020206112  | Screw (M4*0.7*L8)              | 004240106         |
| 26  | 5020206114  | Screw (M4*0.7*L10)             | 004240306         |
| 27  | 5020209377  | Free Arm Base Cushion Rubber   | K6A0063002        |

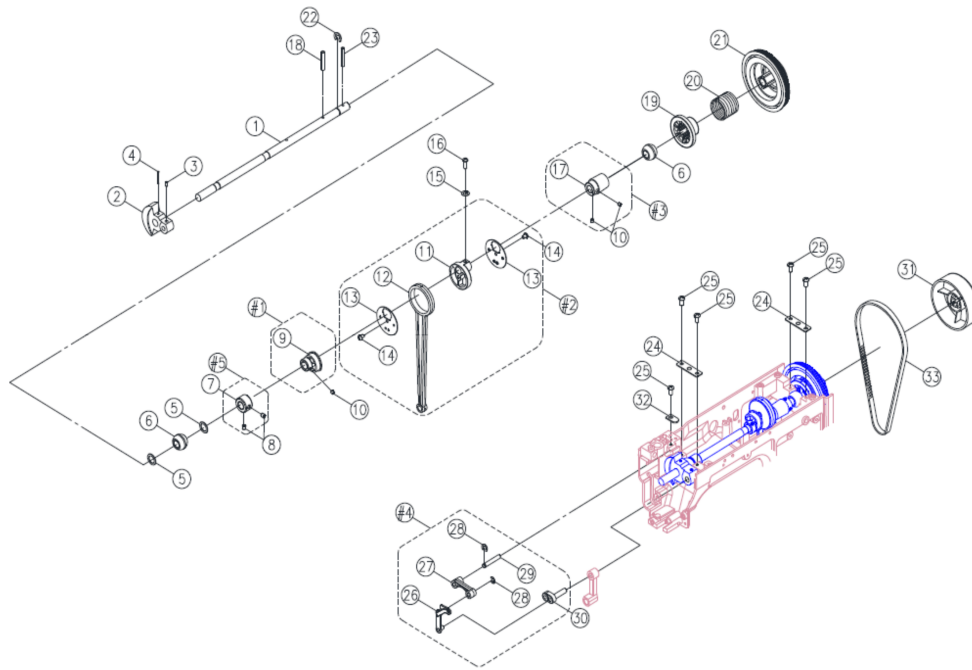
# Sew & Go 1

# FACE PLATE.SEWING TABLE BODY

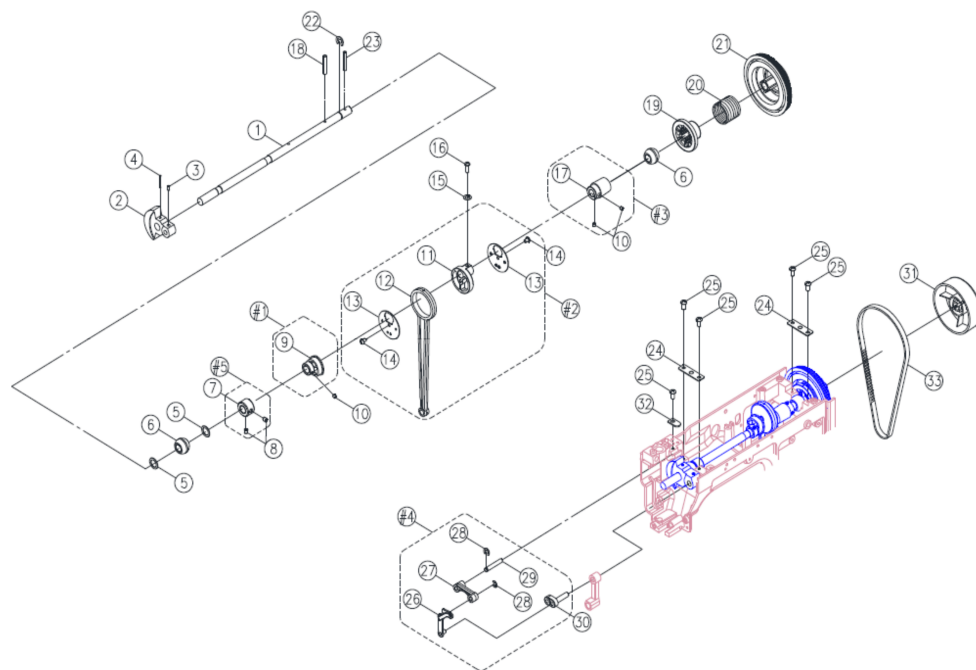


| Pos | Item number | Description                     | Supplier Part no. |
|-----|-------------|---------------------------------|-------------------|
| -1  | 5020210495  | Sewing table cpl.               | K5LA043892        |
| 1   |             | SEWING TABLE BODY               | K5LZ103892        |
| 2   |             | SEWING TABLE BODY COVER         | K5LZ113892        |
| 3   |             | FACE PANEL                      | K5LF013641        |
| 4   | 5020210353  | FACE COVER                      | K5LF023892        |
| 5   |             | SET SCREW (M4X10 A)             | 004241046         |
| 6   |             | FREE ARM BASE CUSHION RUBBER    | K6A0063002        |
| 7   | 5020205867  | Base Plate Adjustment Screw     | K82133006         |
| 8   | 5020205868  | BASE PLATE ADJUSTMENT SCREW SPR | K82073003         |
| 9   |             | FREE ARM BASE CUSHION           | E1A2503002        |
| 10  |             | SET SCREW (M4×12)               | 004240546         |
| 11  | 5020209189  | FREE ARM BASE CUSHION RUBBER    | J31413002         |
| 12  |             | FREE ARM BASE                   | K6H0073892        |
| 13  | 5020206112  | Screw (M4*0.7*L8)               | 004240106         |
| 14  |             | BED COVER                       | K5LZ123892        |
| 15  |             | HOOK COVER                      | K5LZ133892        |
| 16  | 5020210209  | Cutter                          | V630593000        |
| 17  | 5020208142  | Ring (CSTW-5, □4.8*□10*0.25)    | 003020053         |

## ARM. THREAD TAKE UP LEVER

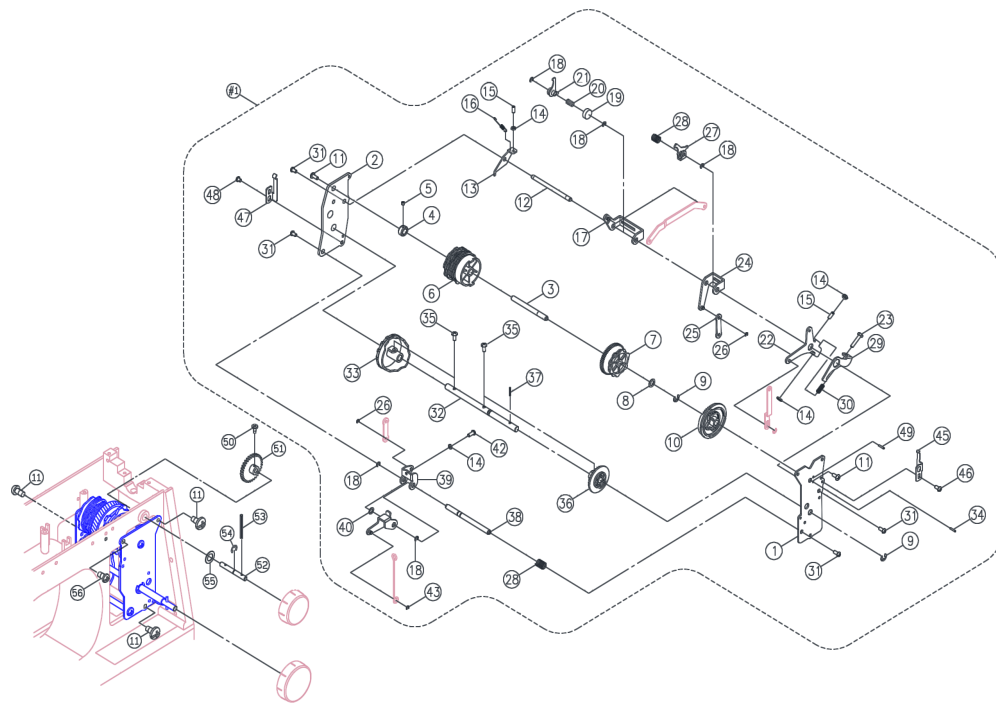


| Pos | Item number | Description                    | Supplier Part no. |
|-----|-------------|--------------------------------|-------------------|
| -1  | 5020206031  | Kurve KPL                      | G4A0535000        |
| -2  | 5020208870  | CRANK CONNECTING ROD           | V880214000        |
| -4  | 5020210351  | THREAD TAKE UP LEVER CPL       | V880784000        |
| 1   |             | ARM SHAFT                      | K6D0203000        |
| 2   | 5020206017  | ARM SHAFT BALANCE              | V61473000         |
| 3   | 5020206113  | Screw (M4*0.7*L6)              | 004240223         |
| 4   | 5020200657  | ARM SHAFT BALANCE PIN          | 003043524         |
| 5   | 5020200733  | WASHER                         | 004400080         |
| 6   | 5020206337  | Arm Shaft Bushing              | R10293000         |
| 7   | R10313000   | ARM SHAFT COLLAR               |                   |
| 8   | 5020206117  | Screw (M5*0.8*L5)              | 004250203         |
| 9   | G4A0533000  | Feed cam                       |                   |
| 10  | 5020200707  | SET SCREW FOR WORM             | 004240503         |
| 11  | V880603003  | CRANK CONNECTING ROD CAM       |                   |
| 12  | V880213000  | CRANK CONNECTING ROD           |                   |
| 13  | V880613003  | CRANK CONNECTING ROD COVER     |                   |
| 14  | 5020210109  | Set screw (m4x4 b)             | 0042400012        |
| 15  | 5020206123  | WASHER                         | 004600026         |
| 16  | 5020208807  | SCREW                          | 004107063         |
| 17  | 5020210067  | Arm shaft worm cpl.            | K6A1465000        |
| 18  | 5020209105  | Spring Pin (□3*L28*0.6)        | 003043028         |
| 19  | 5020207286  | Arm Shaft Collar               | D5A0583000        |
| 20  | 5020207285  | Arm Shaft Clutch               | D5A0573003        |
| 21  | 5020207218  | ARM SHAFT BELT PULLEY          | D5A0563000        |
| 22  | 5020210070  | E-ring (etw-8)                 | 003010082         |
| 23  | 5020209106  | Spring Pin (□3*L30*0.6)        | 003043030         |
| 24  | V60113003   | Arm shaft bushing holder plate |                   |
| 25  | 5020206112  | Screw (M4*0.7*L8)              | 004240106         |
| 27  | 5020205861  | THREAD TAKE UP LEVER SUPPORTER | V10523000         |
| 28  | 5020207868  | E-Ring (ETW-4, □4*□9*0.6)      | 003010043         |
| 29  | 5020206077  | Thread Take Up Lever Supporter | V60223003         |
| 30  | 5020206018  | ARM SHAFT BALANCE PIN          | V10543000         |
| 31  | 5020209177  | Handwheel                      | H1B0343641        |
| 32  | 5020200051  | STOPPER PLATE OF HANDLE        | H13093003         |



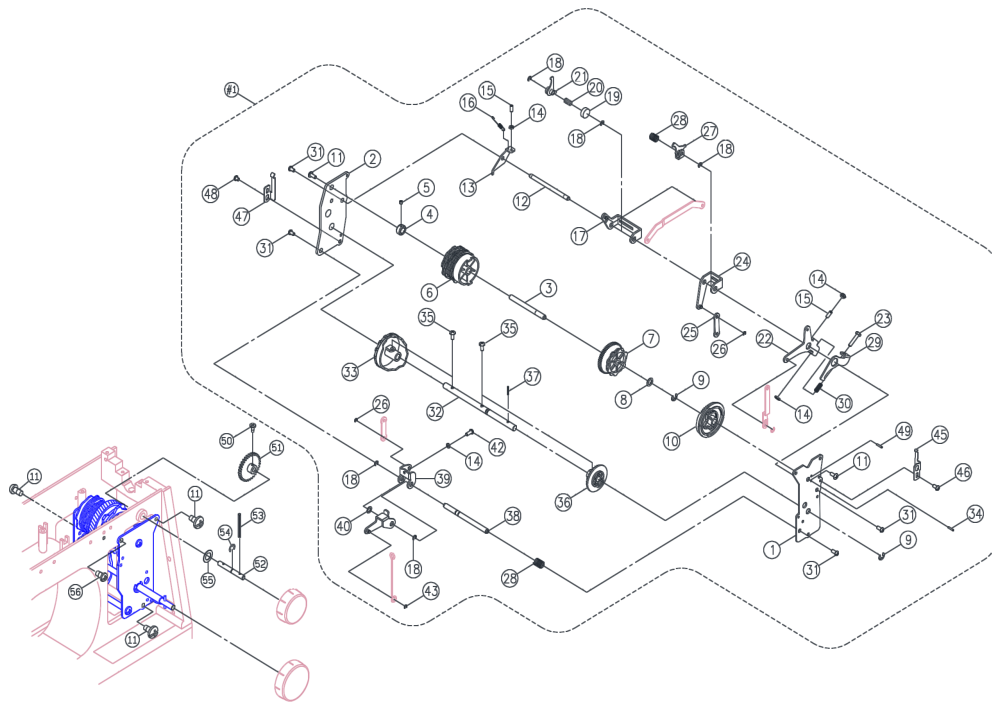
| Pos | Item number | Description          | Supplier Part no. |
|-----|-------------|----------------------|-------------------|
| 33  | 5020209176  | Motor drive belt XXL | 007158XXL5        |

**PATTERN CAM CONTACT PLATE**

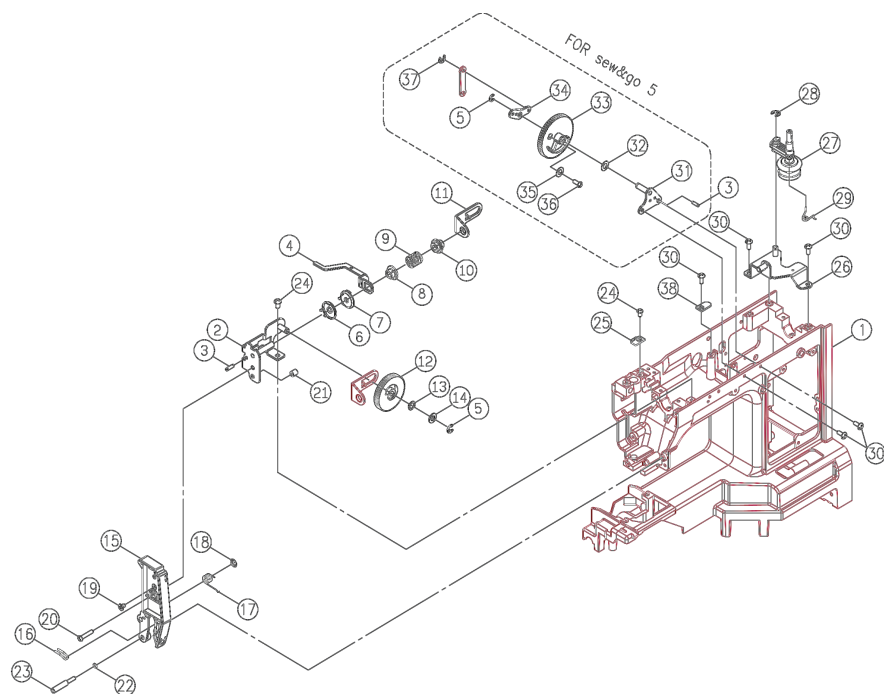


| Pos | Item number | Description                           | Supplier Part no. |
|-----|-------------|---------------------------------------|-------------------|
| -1  | 5020210490  | Pattern Cam Contact cpl               | K1L5014000        |
| 1   |             | PATTERN CAM CONTACT PLATE (FRONT)     | Q6A0193003        |
| 2   |             | PATTERN CAM CONTACT PLATE (BACK)      | K6A0223003        |
| 3   |             | PATTERN CAM SHAFT                     | K6A0233003        |
| 4   |             | PATTERN CAM SHAFT COLLAR              | H11943003         |
| 5   | 5020200707  | SET SCREW FOR WORM                    | 004240503         |
| 6   |             | PATTERN CAM                           | Q6A5023000        |
| 7   |             | SS CAM                                | K6A0253000        |
| 8   |             | WASHER (□8.2x□14x0.5)                 | 004300863         |
| 9   | 5020206549  | E-Ring (ETW-6, □6*□12*0.8)            | 003010063         |
| 10  |             | FEED REGULATOR CAM                    | K6B0033000        |
| 11  | 5020206112  | Screw (M4*0.7*L8)                     | 004240106         |
| 12  |             | ZIGZAG CAM CONTACT SUPPORTER SHAFITTE | K6A0383000        |
| 13  |             | ZIGZAG RELEASE PLATE                  | K6A0423003        |
| 15  |             | SET SCREW (M4*0.7 L9)                 | 004241093         |
| 16  |             | ZIGZAG RELEASE PLATE SPRING           | K6A0883003        |
| 17  |             | ZIGZAG CAM CONTACT SUPPORTER          | K6A0393003        |
| 18  |             | E-RING□ETW-5□                         | 003010056         |
| 19  |             | SPRING PEDESTAL                       | K6B0053006        |
| 20  |             | ZIGZAG CAM CONTACT SPRING             | K6A0373003        |
| 21  |             | ZIGZAG CAM CONTACT                    | K6A0403003        |
| 22  |             | FEED ADJUST CRANK                     | Q6A5033003        |
| 23  |             | SET SCREW (M4*20)                     | 004240706         |
| 24  |             | SS CAM CONTACT SUPPORTER              | K6A0393003        |
| 25  |             | FEED ROCK SHAFT                       | K6A0453003        |
| 27  |             | SS CAM CONTACT                        | K6A0443003        |
| 28  |             | SS CAM CONTACT SPRING                 | V60773003         |
| 29  |             | BH FEED CRANK                         | Q6A5043003        |
| 30  |             | BH SPRING                             | V60813003         |
| 31  | 5020200693  | SET SCREW                             | 004230286         |
| 32  |             | PATTERN SELECTOR CAM SHAFT            | K3C5023003        |
| 33  |             | PATTERN SELECTOR CAM                  | K4D5023000        |
| 34  |             | SPRING PIN (2.5*8)                    | 003042508         |

## PATTERN CAM CONTACT PLATE

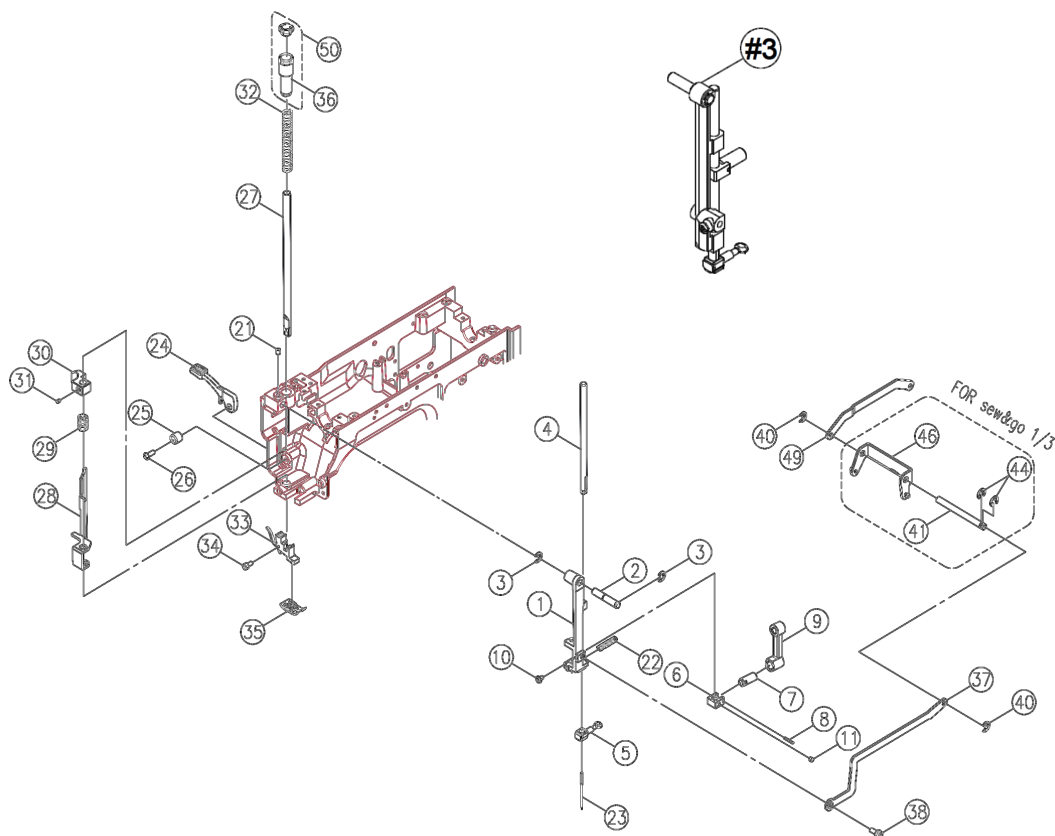


| Pos | Item number | Description                    | Supplier Part no. |
|-----|-------------|--------------------------------|-------------------|
| 35  | 5020200706  | SCREW (1)                      | 004240396         |
| 36  |             | BH PATTERN SELECTOR CAM        | Q6A5073000        |
| 37  |             | SPRING PIN (2.5×16)            | 003042516         |
| 38  |             | FEED CRANK SHAFT               | K6A0533000        |
| 39  |             | FEED ADJUSTING CRANK           | K6A0523003        |
| 40  |             | WASHER (□6.7×□14×0.8)          | 004300113         |
| 41  |             | CRANK SHAFT                    | K6A0513003        |
| 42  | 5020206109  | SET SCREW                      | 004240046         |
| 43  | 5020206838  | E-RING                         | 003010046         |
| 44  | 5020200019  | TENS.LEVER LIFTER SPRING       | H10723003         |
| 45  |             | FEED REGULATOR FIX PLATE       | K6A0543003        |
| 46  |             | SET SCREW (M4×4B)              | 0042400012        |
| 47  |             | PATTERN FIX SPRING PLATE       | K6E0423003        |
| 48  |             | SET SCREW (M4×5B)              | 004240676         |
| 49  |             | SPRING PIN (2.5×10)            | 003042008         |
| 50  |             | SET SCREW (M3×8A)              | 004230211         |
| 51  |             | FEED REGULATOR GEAR            | P3A0903000        |
| 52  |             | FEED REGULATOR DIAL SHAFT      | K6B0073003        |
| 53  |             | SPRING PIN (?2.5×16)           | 003042516         |
| 54  | 5020200652  | E-RING                         | 003010053         |
| 55  |             | WASHER ( □6.5*□10.5*1.5*0.15 ) | 004500600         |
| 56  | 5020200700  | SET SCREW                      | 004240066         |



| Pos | Item number | Description                        | Supplier Part no. |
|-----|-------------|------------------------------------|-------------------|
| 2   |             | DIAL TENSION SUPPORTER PLATE       | Q6B0086000        |
| 3   | 5020210168  | Pin (3x10)                         | 003043010         |
| 4   |             | DIAL TENSION WAFT PLATE            | K6D0293006        |
| 5   | 5020207868  | E-Ring (ETW-4, □4*□9*0.6)          | 003010043         |
| 6   | 5020206206  | Dial Tension Disc 1                | J30423001         |
| 7   | 5020206538  | Dial Tension Disc 2                | E1A2333001        |
| 8   | D6B0623000  | Dial tension spring regulator      |                   |
| 9   |             | DIAL TENSION SPRING                | V880593003        |
| 10  | 5020207882  | Dial Tension Regulator             | K50193000         |
| 11  |             | DIAL TENSION SPRING PLATE          | V60273006         |
| 12  |             | DIAL TENSION KNOB                  | K6B0313892        |
| 13  | 5020205185  | WAVE WASHER                        | 004500360         |
| 14  | 5020209605  | Washer (5.2*10*0.5)                | 004300643         |
| 15  | 5020209180  | Dial tension supp. plate cover     | K5LZ043641        |
| 16  | 5020207865  | Thread guide                       | P3A1353001        |
| 17  | 5020207825  | Thread Guide Spring                | V60303000         |
| 18  | 5020208142  | Ring (CSTW-5, □4.8*□10*0.25)       | 003020053         |
| 19  | 5020209164  | Screw (M4*6)                       | 004240176         |
| 20  | 5020209163  | Screw (M4*15 B)                    | 004240146         |
| 21  | 5020208933  | Tension Guide Roller               | H11103001         |
| 22  | 5020200726  | WASHER                             | 004300136         |
| 23  | 5020210136  | Set screw (m4x0.7 I42)             | 004241412         |
| 24  | 5020206110  | Screw (M4*0.7*L6)                  | 004240056         |
| 25  | 5020210142  | Tension lever regulating plate     | V880583003        |
| 26  |             | BOBBIN WINDER FRAME PLATE COMPLETE | K5L0025000        |
| 27  | 5020207933  | Bobbin Winder Crank cpl            | K6A0555000        |
| 28  | 5020200652  | E-RING                             | 003010053         |
| 29  | 5020209179  | BOBBIN WINDER CRANK SPRING         | K6A0573003        |
| 30  | 5020206112  | Screw (M4*0.7*L8)                  | 004240106         |
| 36  | 5020206109  | SET SCREW                          | 004240046         |
| 38  | 5020200051  | STOPPER PLATE OF HANDLE            | H13093003         |

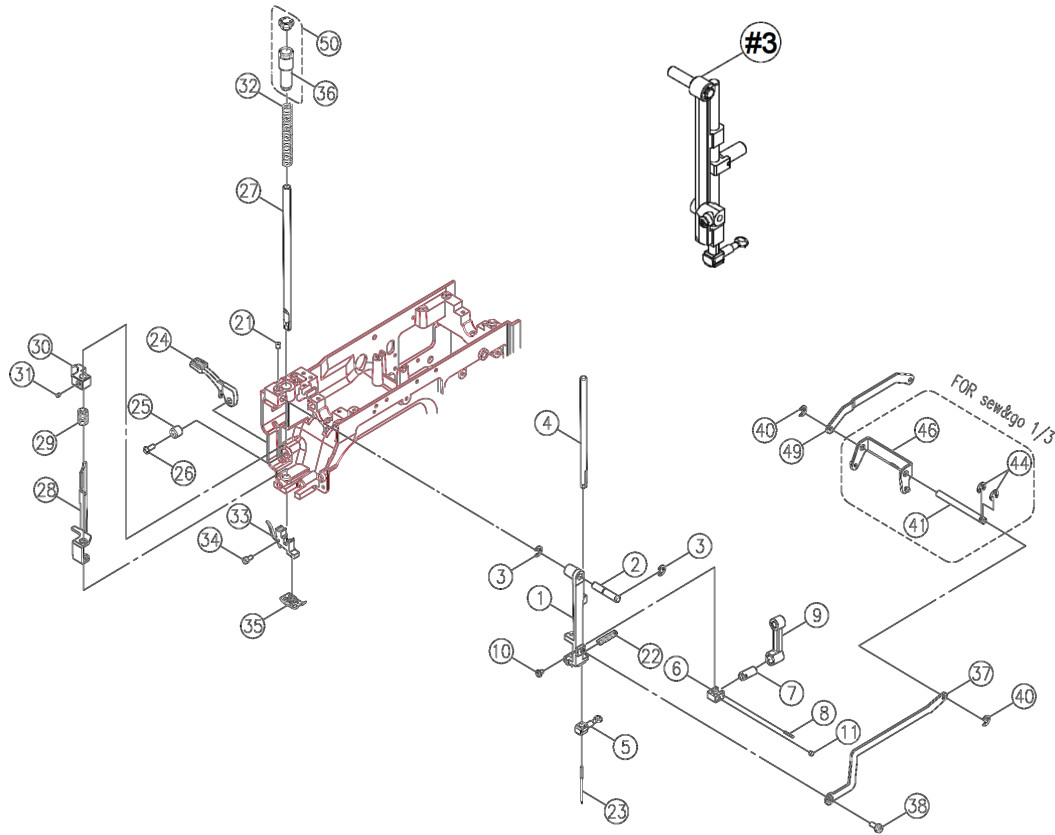




| Pos | Item number | Description                           | Supplier Part no. |
|-----|-------------|---------------------------------------|-------------------|
| -3  | 5020210499  | Needle Bar Supporter cpl              | K6D0254000        |
| 1   | 5020207813  | NEEDLE BAR SUPPORTER                  | V61753002         |
| 2   | 5020200266  | NEEDLE BAR SUPP.PIN                   | N80223003         |
| 3   | 5020207869  | E-Ring (ETW-5, □5*□11*0.6)            | 003010053         |
| 4   | 5020208758  | Needle Bar                            | V70273000         |
| 5   | 5020206844  | Needle Clamp cpl                      | TA11034000        |
| 6   | V880393003  | NEEDLE BAR BRACKET (1)                |                   |
| 7   | V880483000  | NEEDLE BAR BRACKET (2)                |                   |
| 8   | 0030400020  | PIN (□2×12)                           |                   |
| 9   | 5020209070  | NEEDLE BAR CRANK ROD                  | V880633000        |
| 10  | 5020205171  | Set screw                             | 004106202         |
| 11  | 5020200707  | SET SCREW FOR WORM                    | 004240503         |
| 21  | 5020206108  | Screw (M4*0.7*L5)                     | 004240033         |
| 22  | 5020200061  | NEEDLE BAR SUP. SPRING                | H50583003         |
| 23  | 5020200777  | NEEDLE                                | 006046148         |
| 24  | 5020209178  | Presser bar lifter lever              | K6A1193000        |
| 25  | 5020210149  | Presser bar lifter lever screw washer | V60163000         |
| 26  | 5020206109  | SET SCREW                             | 004240046         |
| 27  | 5020210150  | Presser bar                           | V70153002         |
| 28  | V880573003  | Tension lever lifter                  |                   |
| 29  | 5020200019  | TENS.LEVER LIFTER SPRING              | H10723003         |
| 30  | 5020200015  | USE ZH10525000                        | H10533002         |
| 31  | 5020200722  | SCREW                                 | 004260023         |
| 32  |             | PRESSER BAR SPRING                    | K6E0403003        |
| 33  | 5020205941  | SHANK CPL. FOR ZIG ZAG PRESSER FOOT   | 006187008         |
| 34  | 5020206102  | Screw                                 | 004106221         |
| 36  | 5020209996  | Presser bar regulating screw          | E4A6043892        |
| 37  |             | NEEDLE BAR DRIVING ROD COMPLETE       | V60175003         |
| 38  | 5020209574  | NEEDLE BAR DRIVING ROD PIN            | E1A2993000        |
| 40  | 5020206095  | E-Ring (ETW-3, □3.2*□7*0.6)           | 003010036         |
| 41  |             | ZIGZAG CONTACT SUPPORTER SHAFT        | K3B0063003        |
| 44  | 5020200652  | E-RING                                | 003010053         |
| 46  |             | ZIGZAG REGULATOR CRANK                | K3B0053003        |
| 49  |             | ROD                                   | K6A0623003        |

# Sew & Go 1

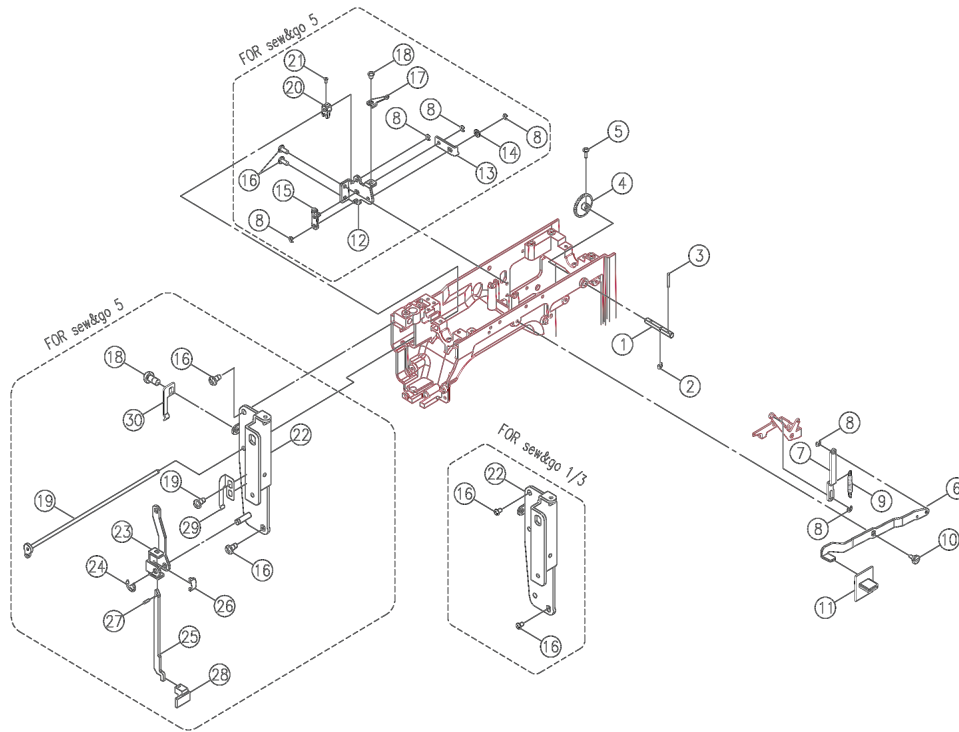
# NEEDLE BAR SUPPORTER



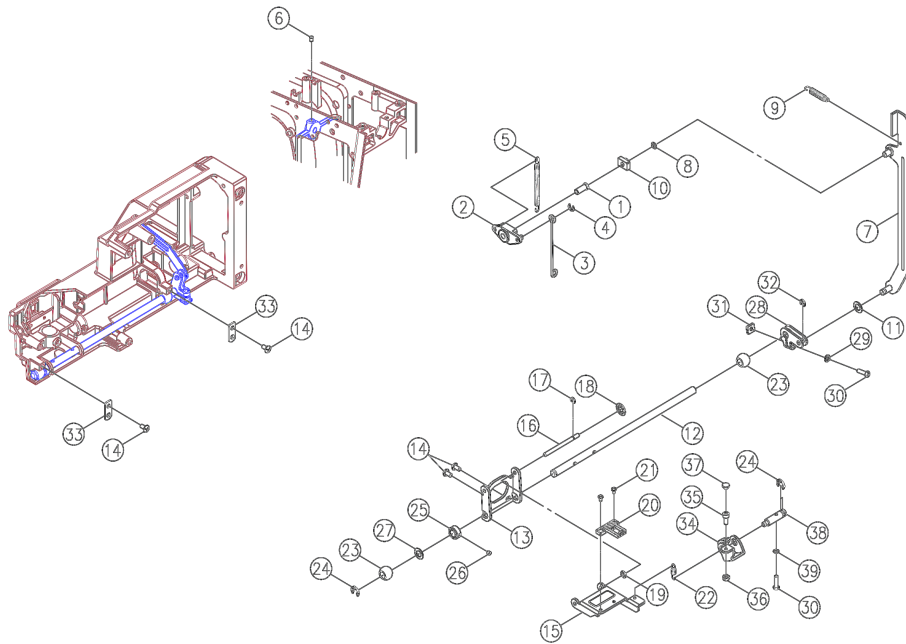
| Pos | Item number | Description                          | Supplier Part no. |
|-----|-------------|--------------------------------------|-------------------|
| 50  | 5020209199  | Presser bar regulating screw plastic | E4A6044892        |

# Sew & Go 1

# BH LEVER PLATE COMPLETE. PRESSER BAR



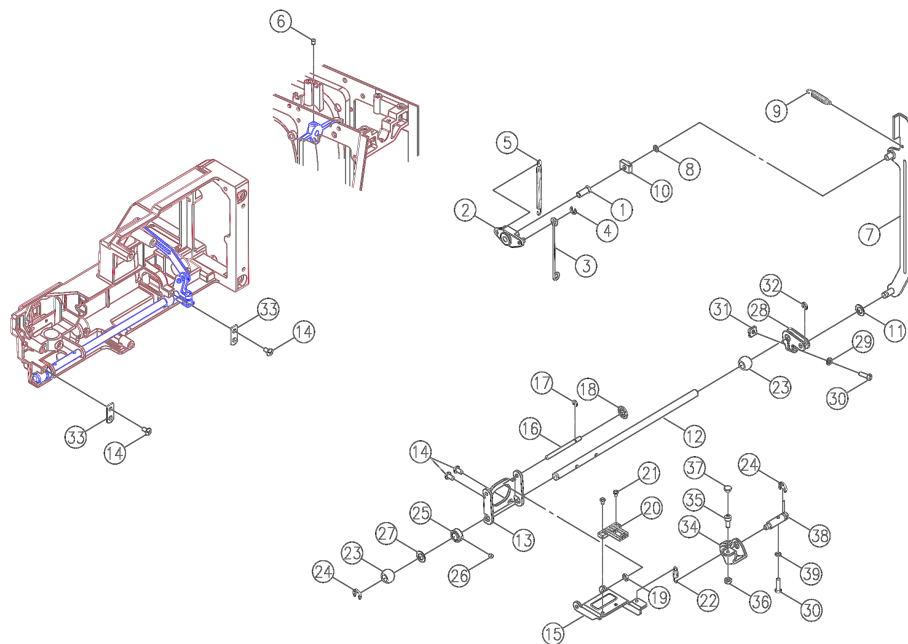
| Pos | Item number | Description               | Supplier Part no. |
|-----|-------------|---------------------------|-------------------|
| 1   |             | FEED REGULATOR DIAL SHAFT | K6B0073003        |
| 2   | 5020200652  | E-RING                    | 003010053         |
| 3   | 5020210187  | Pin                       | 003042516         |
| 4   | 5020210188  | Feed regulator gear       | P3A0903000        |
| 5   | 5020210189  | Set screw (m3x8 a)        | 004230211         |
| 6   |             | REVERSE LEVER             | K6A0853006        |
| 7   | 5020210127  | Reverse rod               | K6A0863003        |
| 9   | 5020206179  | Auto Thread Lever Spring  | M70093000         |
| 10  |             | SET SCREW (M4x6)          | 004240883         |
| 11  | 5020209204  | REVERSE BUTTON            | K6C0053892        |
| 16  | 5020206112  | Screw (M4*0.7*L8)         | 004240106         |
| 22  |             | BH LEVER PLATE COMPLETE   | K5B0033006        |



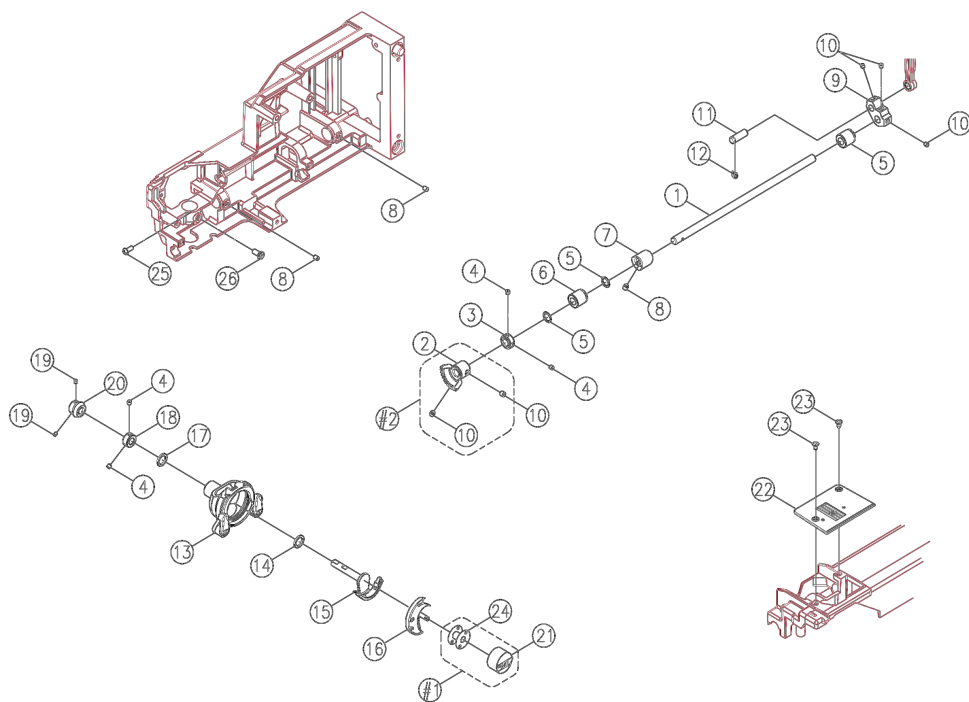
| Pos | Item number | Description                | Supplier Part no. |
|-----|-------------|----------------------------|-------------------|
| 1   |             | FEED REGULATING Shaft      | K6A0153000        |
| 2   |             | FEED REGULATING Shaft      | K6A0153000        |
| 3   |             | FEED ROD                   | K6A1323003        |
| 4   | 5020206838  | E-RING                     | 003010046         |
| 5   | 5020209181  | Feder                      | K6A0633003        |
| 6   | 5020206113  | Screw (M4*0.7*L6)          | 004240223         |
| 7   |             | FORK ROD                   | V60453003         |
| 8   | 5020205435  | END.ATTR.WASHER            | 004400180         |
| 9   | 5020209182  | FORK ROD SPRING            | V60463003         |
| 10  |             | FEED REGULATING BLOCK      | V11533000         |
| 11  | 5020200739  | WASHER                     | 004400450         |
| 12  |             | FEED ROCK SHAFT            | V60483000         |
| 13  |             | FEET ROCK FRAME            | V60493003         |
| 14  | 5020206112  | Screw (M4*0.7*L8)          | 004240106         |
| 15  |             | FEED DOG FRAME             | V60503003         |
| 16  |             | FEED DOG FRAME SHAFT       | V60513003         |
| 18  | 5020200660  | NUT                        | 003090043         |
| 19  | 5020200726  | WASHER                     | 004300136         |
| 20  | 5020505109  | FEED DOG                   | V620053000        |
| 21  |             | SET SCREW (M3×5 B)         | 004230056         |
| 22  | 5020209183  | Feed dog frame spring      | V60533003         |
| 23  |             | FEED ROCK BUSHING          | V60343000         |
| 24  | 5020206549  | E-Ring (ETW-6, □6*□12*0.8) | 003010063         |
| 25  |             | PATTERN CAM SHAFT COLLAR   | H11943003         |
| 26  | 5020200707  | SET SCREW FOR WORM         | 004240503         |
| 27  | 5020206550  | ENDURE ATTRITION WASHER    | 004400410         |
| 28  |             | FEED ROCK CRANK            | V60553003         |
| 29  | 5020200724  | WASHER                     | 004300093         |
| 30  | 5020209163  | Screw (M4*15 B)            | 004240146         |
| 31  |             | FEED ROCK CRANK NUT (M4)   | 004840073         |
| 32  | 5020207868  | E-Ring (ETW-4, □4*□9*0.6)  | 003010043         |
| 33  |             | BUSHING HOLDER PLATE       | V60563003         |
| 34  |             | FEED LIFTING ROCK CRANK    | V60583003         |
| 35  |             | SEW SCREW                  | 004250323         |

# Sew & Go 1

# FEED DOG FRAME. FEED ROCK SHAFT



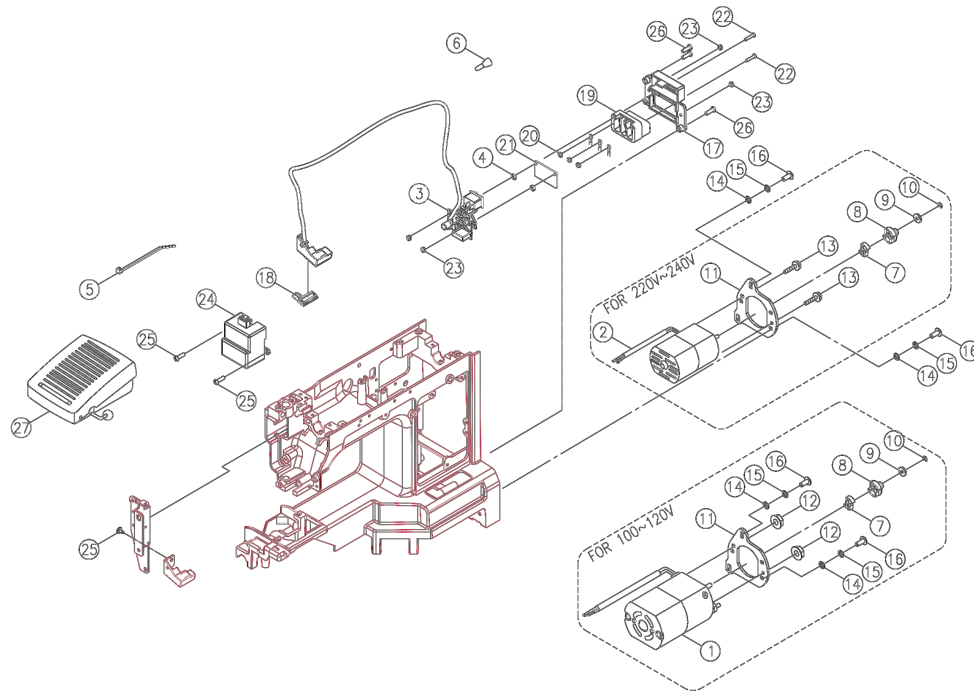
| Pos | Item number | Description             | Supplier Part no. |
|-----|-------------|-------------------------|-------------------|
| 36  | 5020206126  | Nut (M4*0.7*3)          | 004840022         |
| 37  | 5020205302  | SET SCREW KNOB          | K81243000         |
| 38  |             | FEED LIFTING ROCK SHAFT | V60593003         |
| 39  | 5020206123  | WASHER                  | 004600026         |



| Pos | Item number | Description                    | Supplier Part no. |
|-----|-------------|--------------------------------|-------------------|
| -1  |             | Bobbin Case cpl                | GGR0744000        |
| -2  | 5020207146  | LOWERSHAFT GEAR CPL WITH SCR   | G4A1574000        |
| 1   | 5020208626  | LOWER SHAFT                    | M1A0083000        |
| 2   | 5020207149  | LOWER SHAFT GEAR W/O SCREWS    | G4A1573000        |
| 3   |             | LOWER SHAFT COLLAR             | V11553003         |
| 4   | 5020200707  | SET SCREW FOR WORM             | 004240503         |
| 5   | 5020206550  | ENDURE ATTRITION WASHER        | 004400410         |
| 6   | 5020207024  | Lower Shaft Bushing            | E1A0283000        |
| 7   |             | FEED LIFTING ROCK CAM          | V6E1123000        |
| 8   | 5020206113  | Screw (M4*0.7*L6)              | 004240223         |
| 9   |             | CRANK CONNECTING ROD CRANK     | V60363000         |
| 10  | 5020206117  | Screw (M5*0.8*L5)              | 004250203         |
| 11  |             | CRANK CONNECTING ROD CRANK PIN | V10833003         |
| 12  | 5020200652  | E-RING                         | 003010053         |
| 13  | 5020205885  | OPEN SHUTTLE RACE CPL.         | V10995000         |
| 14  | 5020205279  | ENDURE ATTRITION WASHER        | 004400800         |
| 15  | 5020200141  | SHUTTLE DRIVER CPL.            | K81125000         |
| 15  | 5020206061  | SHUTTLE DRIVER CPL             | K81125000         |
| 16  | 5020207274  | SHUTTLE HOOK (4.6MM)           | V62043000         |
| 17  | 5020200735  | WASHER                         | 004400210         |
| 18  |             | SHUTTLE DRIVER SHAFT COLLAR    | H71153003         |
| 19  | 5020207148  | SCREWS OF SHUTTLE SH.GEAR      | 004107293         |
| 20  | 5020207147  | SHUTTLE DRIVER GEAR W/O SCREW  | G4A1583000        |
| 21  |             | BOBBIN CASE                    | GGR0743001        |
| 22  | 5020505031  | NEEDLE PLATE                   | V620033001        |
| 23  | 5020205866  | Set Screw (M4X6)               | 004240851         |
| 24  | 5020205923  | Bobbin                         | 5020208150        |
| 25  | 5020206109  | SET SCREW                      | 004240046         |
| 26  | 5020205164  | SET SCREW                      | 004250151         |

# Sew & Go 1

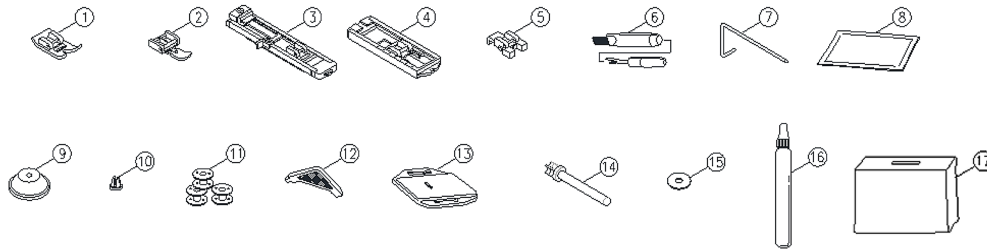
# MOTOR COMPLETE. RECEPTACLE HOLDER



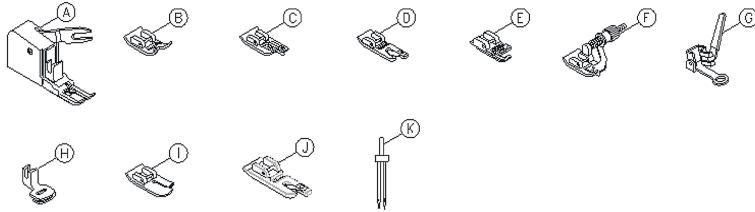
| Pos | Item number | Description                        | Supplier Part no. |
|-----|-------------|------------------------------------|-------------------|
| 1   | 001V884005  | MOTOR COMPLETE (120V)              |                   |
| 2   | 5020209231  | MOTOR COMPLETE (220-240V)          | 001V881007        |
| 3   | 5020209186  | LED Cpl                            | VGJ0745000        |
| 3   |             | LED HOLDER COMPLETE(FOR 100V-120V) | VGJ0755000        |
| 4   | 5020200729  | WASHER                             | 004300306         |
| 5   | 5020200630  | CORD CLIP                          | 002027129         |
| 6   | 5020200001  | END TERMIND C-4                    | AA0463000         |
| 7   | 5020206128  | PULLEY CUSHION                     | 008059302         |
| 8   |             | BELT WHEEL                         | 002396029         |
| 9   |             | MOTOR FEED REGULATOR COLLAR        | 002145029         |
| 11  |             | MOTOR BRACKET                      | K6A0983006        |
| 12  |             | NUT (M4 T=5.5) (FOR 100~120V)      | 004840131         |
| 13  |             | SET SCREW (M4×10.2) (FOR 220~240V) | 0042400036        |
| 14  | 5020200729  | WASHER                             | 004300306         |
| 15  | 5020200743  | SPRING WASHER                      | 004600296         |
| 16  | 5020200713  | SET SCREW                          | 004250086         |
| 17  |             | RECEPTACLE HOLDER                  | K6A1203000        |
| 18  |             | LAMPSHADE                          | VGJ0553031        |
| 19  |             | RECEPTACLE                         | 008V540001        |
| 20  |             | NUT (M3×4)                         | 0048400001        |
| 21  |             | CONCERT INSULATION PLATE           | 008V540002        |
| 22  |             | SET SCREW (M3×25 B)                | 004230356         |
| 23  | 5020200747  | SCREW                              | 004830016         |
| 24  |             | RECEPTACLE HOLDER COVER            | K6C0423000        |
| 25  | 5020200693  | SET SCREW                          | 004230286         |
| 26  | 5020200703  | SET SCREW                          | 004240136         |
| 27  | 5020209141  | Footcontroller sew&go 1/3/5 UK     | 002V881041        |
| 27  | 5020209237  | Foot controller EU                 | 002V881013        |
| 27  | 5020209952  | Foot Controller US                 | 002V884003-01     |
| 27  |             | FOOT CONTROLLER (FOR SAA)          | 002V881042        |
| 27  |             | FOOT CONTROLLER (FOR SOUTH AFRICA) | 002V881047        |

# Sew & Go 1

## STANDARD ACCESSORIES



## OPTIONAL ACCESSORIES



## ACCESSORIES

| Pos | Item number | Description            | Supplier Part no. |
|-----|-------------|------------------------|-------------------|
| 1   | 5020205864  | ZIG ZAG PRESSER FOOT   | 006806008         |
| 2   | 5020205692  | ZIPPER FOOT            | 006905008         |
| 4   | 5020205879  | BUTTONHOLE FOOT        | 006909008         |
| 5   | 5020205693  | BUTTON SEW FOOT        | 006914008         |
| 6   | 5020205921  | Seam Ripper with Brush | 006099008         |
| 7   | 5020205924  | SEAM GUIDE             | 006008001         |
| 8   | 5020207487  | Needle Set (3X)        | 006014148         |
| 9   | 5020205926  | Spool Holder Big       | R12373892         |
| 10  | 5020205927  | Spool Holder Small     | TA10943892        |
| 11  | 5020205923  | Bobbin                 | 5020208150        |
| 12  | 5020205920  | L-Screw Driver         | 006093009         |
| 13  | 5020207486  | EMBROIDERY PLATE       | 006117009         |
| 14  | 5020209202  | SPOOL PIN              | H3JY013892        |
| 15  | 5020207090  | Spool Pin Felt         | 006015009         |
| 16  | 5020205922  | Oil Bottle             | 006013009         |
| 17  | 5020209206  | Dust cover             | 120M1B0001        |